

Adaptive LED Headlights – Model 8790 Adaptive 2

PRODUCT INFORMATION

Description	12V DOT/ECE LED High & Low Beam Adaptive Headlight with Black Inner Bezel and Mounting Ring
Height	177.20 mm / 6.98 in
Width	177.20 mm / 6.98 in
Depth	93.68 mm / 3.69 in
Shape	Round
Outer Lens Material	Polycarbonate
Outer Lens Color	Clear
Housing Material	Aluminum
Housing Color	Grey
Bezel Color	Black
Retrofits	Bucket 7" Round Headlights (PAR56)
Minimum Operating Temperature	-40 °C / -40 °F
Maximum Operating Temperature	65 °C / 149 °F
Connector or Wiring	H4
Mating Connector	H4 AMP#172615-2
Shipping Weight	4.10 lbs / 1.86 kgs



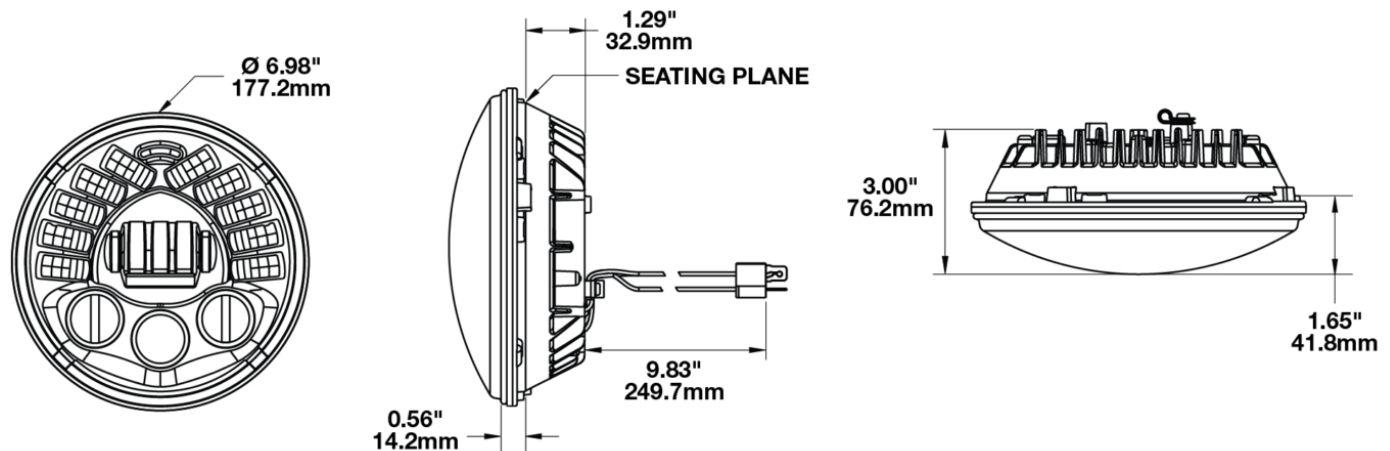
Print date: 2018-04-17

© 2018 J.W. Speaker Corporation • Germantown, WI U.S.A.
 www.jwspeaker.com • speaker@jwspeaker.com • 262.251.6660

J.W. SPEAKER 
 Engineered. Lighting. Solutions.

Adaptive LED Headlights – Model 8790 Adaptive 2

PRODUCT DIMENSIONS



ELECTRICAL SPECIFICATIONS

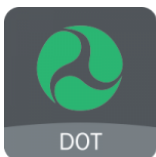
Input Voltage	12V DC
Operating Voltage	9-16V DC
Transient Spike Protection	150V Peak @ 1 HZ-100 Pulses
Black Wire	Ground
White Wire	High Beam
Yellow Wire	Low Beam
Red Wire	Front Position
Current Draw	2.9A @ 13.5V DC (High Beam) 1.9A @ 13.5V DC (Low Beam) 0.092A @ 13.5V DC (Front Position) 3.5A @ 13.5V DC (Low Beam at Full Lean) 4.5A @ 13.5V DC (High Beam at Full Lean)

Print date: 2018-04-17

© 2018 J.W. Speaker Corporation • Germantown, WI U.S.A.
www.jwspeaker.com • speaker@jwspeaker.com • 262.251.6660

Adaptive LED Headlights – Model 8790 Adaptive 2

REGULATORY STANDARDS COMPLIANCE



ECE Reg 113

FMVSS 108 Table XX

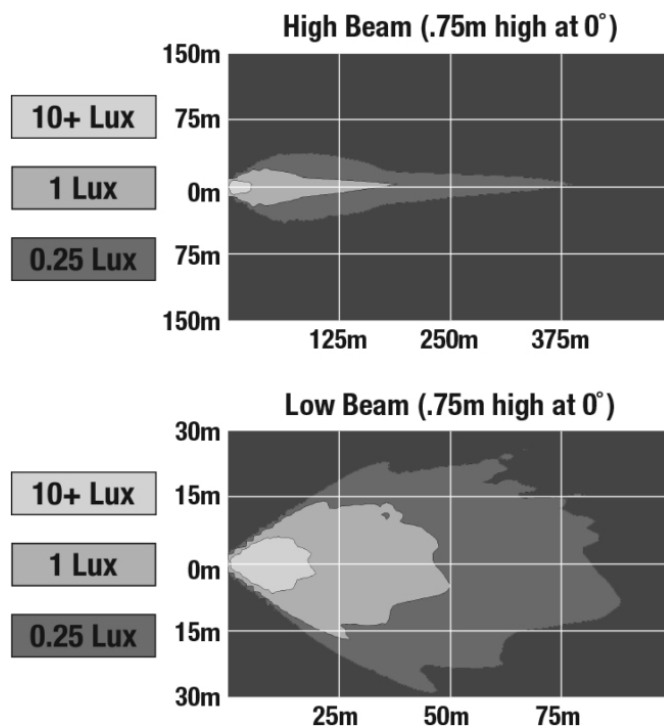
Tested to ECE Reg. 10
(Radiated Emissions only)

ECE Reg 50

IEC IP67

PHOTOMETRIC SPECIFICATIONS

Raw Lumen Output	2,250 (High Beam); 2,025 (Low Beam)
Effective Lumen Output	1,150 (High Beam); 850 (Low Beam)
Candela Output	48,000 (High Beam); 11,500 (Low Beam)
Nominal LED Color Temperature	5000 K
Beam Pattern(s)	Forward Lighting - High Beam (DOT/ECE) Forward Lighting - Low Beam (DOT/ECE) Signalization - Front Position



Print date: 2018-04-17

© 2018 J.W. Speaker Corporation • Germantown, WI U.S.A.
www.jwspeaker.com • speaker@jwspeaker.com • 262.251.6660

Adaptive LED Headlights – Model 8790 Adaptive 2

APPLICATIONS



ADDITIONAL INFORMATION

Improvements over the original Adaptive Series

The NEW Adaptive 2 Series headlights have been improved to feature Adaptive technology when using the high beam, in addition to the low beam. Providing ditch-to-ditch lighting to eliminate dark corners on sharp turns and a punch of light 1,500 feet down the road to give you a safer and more confident ride.

RELATED PRODUCTS



Part Number
0555011

12V DOT/ECE LED High & Low Beam Adaptive Headlight with Black Inner Bezel



Part Number
0555031

12V DOT/ECE LED High & Low Beam Adaptive Headlight with Chrome Inner Bezel



Part Number
0555061

12V DOT/ECE LED High & Low Beam Adaptive Headlight with Chrome Inner Bezel and Mounting Ring

Print date: 2018-04-17

© 2018 J.W. Speaker Corporation • Germantown, WI U.S.A.
www.jwspeaker.com • speaker@jwspeaker.com • 262.251.6660